



CHENMKO ENTERPRISE CO.,LTD

Halogens free devices

**SURFACE MOUNT
Dual Digital Silicon Transistor**

VOLTAGE 50 Volts CURRENT 100 mAmpere

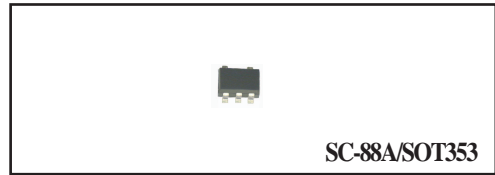
CHUMA3GP

APPLICATION

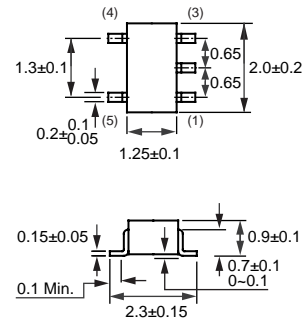
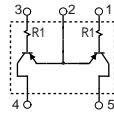
* Switching circuit, Inverter, Interface circuit, Driver circuit.

FEATURE

- * Small surface mounting type. (SC-88A/SOT-353)
- * High current gain.
- * Suitable for high packing density.
- * Low collector-emitter saturation.
- * High saturation current capability.
- * Both the CHDTA143T in one package.
- * Built in bias resistor(R1=4.7kΩ, Typ.)



CIRCUIT



Dimensions in millimeters

SC-88A/SOT353

LIMITING VALUES

In accordance with the Absolute Maximum Rating System (IEC60134).

SYMBOL	PARAMETER	CONDITIONS	VALUE	UNIT
V _{CBO}	Collector-Base voltage		-50	V
V _{CEO}	Collector-Emitter voltage		-50	V
V _{EBO}	Emitter-Base voltage		-5	V
I _{C(Max.)}	Collector current		-100	mA
P _D	Power dissipation	T _{amb} ≤ 25 °C, Note 1	150	mW
T _{STG}	Storage temperature		-55 +150	°C
T _J	Junction temperature		-55 +150	°C
Rθ _{J-S}	Thermal resistance , Note 1	junction - soldering point	140	°C/W

Note

1. Transistor mounted on an FR4 printed-circuit board.

RATING CHARACTERISTIC (CHUMA3GP)

CHARACTERISTICS

$T_{amb} = 25\text{ }^{\circ}\text{C}$ unless otherwise specified.

SYMBOL	PARAMETER	CONDITIONS	MIN.	TYP.	MAX.	UNIT
BVCBO	Collector-Base breakdown voltage	$I_C = -50\mu\text{A}$	-50.0	–	–	V
BVCEO	Collector-Emitter breakdown voltage	$I_C = -1\text{mA}$	-50.0	–	–	V
BVEBO	Emitter-Base breakdown voltage	$I_E = -50\mu\text{A}$	-5.0	–	–	V
$V_{CE(sat)}$	Collector-Emitter Saturation voltage	$I_C = -5\text{mA}; I_B = -0.25\text{mA}$	–	–	-0.3	V
I_{CBO}	Collector-Base current	$V_{CB} = -50\text{V}$	–	–	-0.5	μA
I_{EBO}	Emitter-Base current	$V_{EB} = -4\text{V}$	–	–	-0.5	μA
h_{FE}	DC current gain	$I_C = -1\text{mA}; V_{CE} = -5.0\text{V}$	100	250	600	
R_1	Input resistor		3.29	4.7	6.11	$\text{K}\Omega$
f_T	Transition frequency	$I_E = 5\text{mA}, V_{CE} = -10.0\text{V}$ $f = 100\text{MHz}$	–	250	–	MHz

Note

1. Pulse test: $t_p \leq 300\mu\text{s}; \delta \leq 0.02$.

RATING CHARACTERISTIC CURVES (CHUMA3GP)

Typical Electrical Characteristics

Fig.1 DC current gain vs. collector current

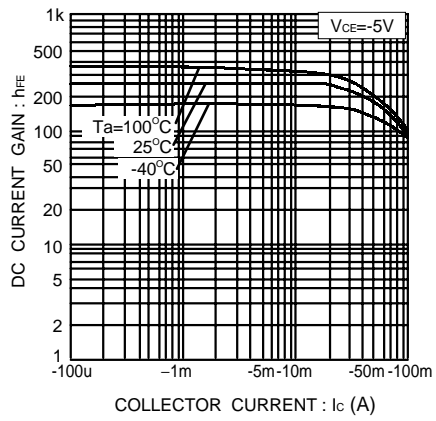


Fig.2 Collector-emitter saturation voltage vs. collector current

